

Kern 90HS



The Quickest Affixing and Mailing System in the Market

K90HS is a Card Affixing and Mailing system for high- volume productions. The system works offline, not linked to a Personalization system. The production velocity is up to 12,000 pieces/hour when combined with the inserting system. Higher speeds are obtainable without the inserting system based on type of job/items to process.

K90HS can work either in "Matching Mode", with an already-personalized carrier, or in "Read and Print" mode by adding a InkJet printer. Cards sections are equipped with Barcode, OCR, Magnetic Stripe reader. Cards feeding and affixing of the card on the carrier is performed through a Continuous Rotary System.

Carriers' folding is completely automated and equipped with motorized fold pockets. The enclosure feeding unit is completely modular. The inserting system works with 6x9 and flat formats. The output section is equipped with a recycling bin and Production Control for perfect integrity control.

K90HS is an extremely fast and versatile system with great variety of carriers' formats: from very small (A5/5.8"x8.3") to very big (A3/11.7"x16.5"), along with great variety of carriers' density: from 20lb to 67lb. Complete electronic format change, multiple carrier folding, both parallel and crossed, prior affixing is also available. Folding made by one or more plow-folds after affixing. Input carrier capable to handle high-thickness.

This system also has a possible interface with a wide range of optional modules: electronic weighing scale, InkJet printer, packaging system. K90HS is provided with the renowned Jobs Manager to run articulated operations with ease to use.

K90HS system is particularly suitable for types of production in which it is necessary to deliver millions of card in a very short period of time. Perfect for the Telecom sector, where high velocity and consistent versatility in card affixing is required without enveloping.

K90HS is also recommended for Gift Cards high- productivity affixing and wrapping

K90HS can be used just for the card affixing on a carton carrier and follow delivery to retail. It can also be used together with an enveloping system for a direct delivery to end user.

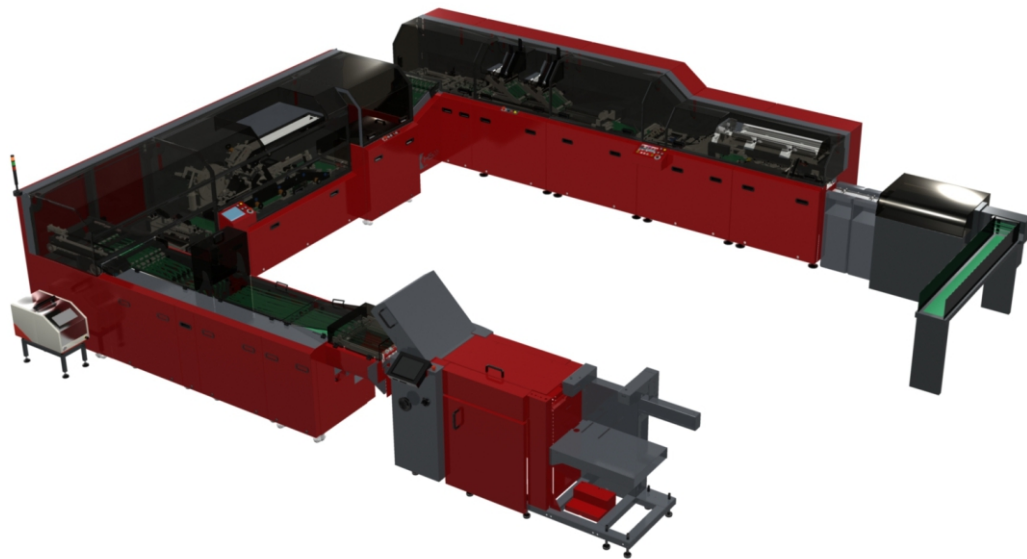
K90HS is also suitable for these not - massive productions thanks to its high degree of flexibility.

Our Services

- Personal consulting on site
- Requirement analysis
- Working out an optimal solution
- System integration
- On-site training of your employees
- Comprehensive support during the operational phase

Features

- Card size: ISO/IEC 7810
- Card material: PC,PET, PVC,ABS, PET other composite materials
- Card Readers: Magstripe, Bar code, Data Matrix, OCR Carrier:
- 5.8" x 8.3" is min. input format
11.7" x 16.5" is max. input format
4.1" x 5.8" is min. output format
2.9" x 4.1" is max. output format
Paper thickness: 20lb - 67lb
- Speed: up to max. 12,000 cph
- Electricity power: 20 Kw
- Air consumption: 10.6 cfm



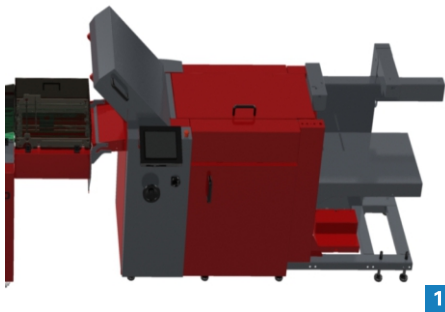
Kern Inc

3940 Gantz Road, Suite A
Grove City, Ohio 43123

Phone: 614-317-2600
Email: Info@kerninc.com
www.kerninc.com

Your technology partner | **kern**

System Details Kern 90HS



1

1. Document Input

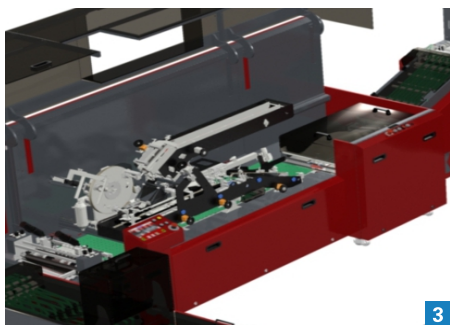
- High-capacity feeder with automatic format change
- Alignment table, equipped with electronic format change
- 4-pockets folding machine with totally electronic format change
- By-pass for discarding the carriers during set-up of the folding machine



2

2. Carrier Management

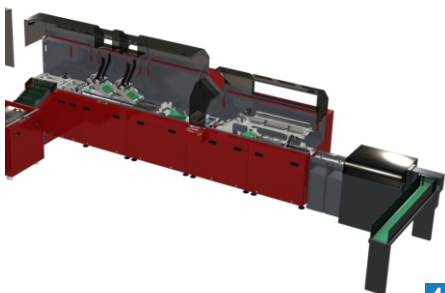
- Interface for an accurate phasing of the carrier from the folding-machine
- Dynamic Buffer for the temporary parking of the carriers coming from the folding-machine in the case K90HS stops
- Page Scan Camera for reading 1D, 2D barcodes and OCR. The camera is placed over the carrier. If requested, another camera can be located also under the carrier. This device is equipped with a "blade-light illumination"
- Buffer for creating the needed space for aligning cards and carriers and permitting the correct affixing
- Device for 180° rotation of the carrier. When getting out from the spinner, the carrier is downloaded on the underlying roller
- Section dedicated to creasing, the punching and placement of hot-melt glue where cards will be affixed further. It's a permanent type of glue that remains active even after long K90HS's downtimes



3

3. Card Affixing

- The carrier arrives from previous creasing and glue placement to the affixing area, transported by a vacuum conveyor
- Continuous Rotary feeder for card affixing. This device is equipped with 1D, 2D, OR and Magstripe reader both on front and on back of the card. This device is selective and can opt to affix the card on the carrier. It can work with a job of cards organized in "rainbow" mode. To affix 2 or more cards on the same carrier, 2 or more card affixing modules must be added
- Plow-fold for a further folding of the carrier that already contains the cards within the carrier. The plow-fold can be right or left. The fold position is electronically handled



4

4. Enveloping Section

- Interface for taking the completely folded carrier and move it to the enveloping section
- Device for a 90° rotation of the incoming carrier and for its insertion into a buffer for collection. The buffer can stack one or more carriers and then download them in a successive conveyor
- Module for insert feeder. This section is modular and can be expanded on the base of the customer's needs
- Flip-over for a 180° longitudinal rotation of the parcel
- Enveloping section that can achieve up to 12,000 envelopes/hour. This section includes the wetting and sealing of the envelopes
- Production Control module provided with barcode reader and reject bin for non-compliant envelopes
- Vertical stack for envelopes to be collected on the output conveyor
- Conveyour for collecting vertically all the envelopes. This mode is fundamental to help the operator to collect the envelopes coming out so rapidly

Kern Inc

3940 Gantz Road, Suite A
Grove City, Ohio 43123

Phone: 614-317-2600
Email: Info@kerninc.com
www.kerninc.com